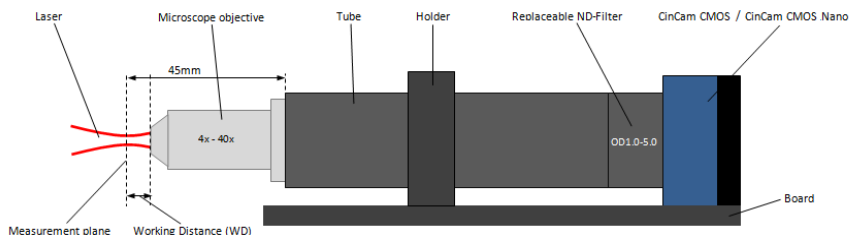




CinCam Application Near-Field Beam Profiler - NFBP -

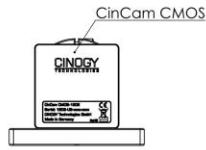
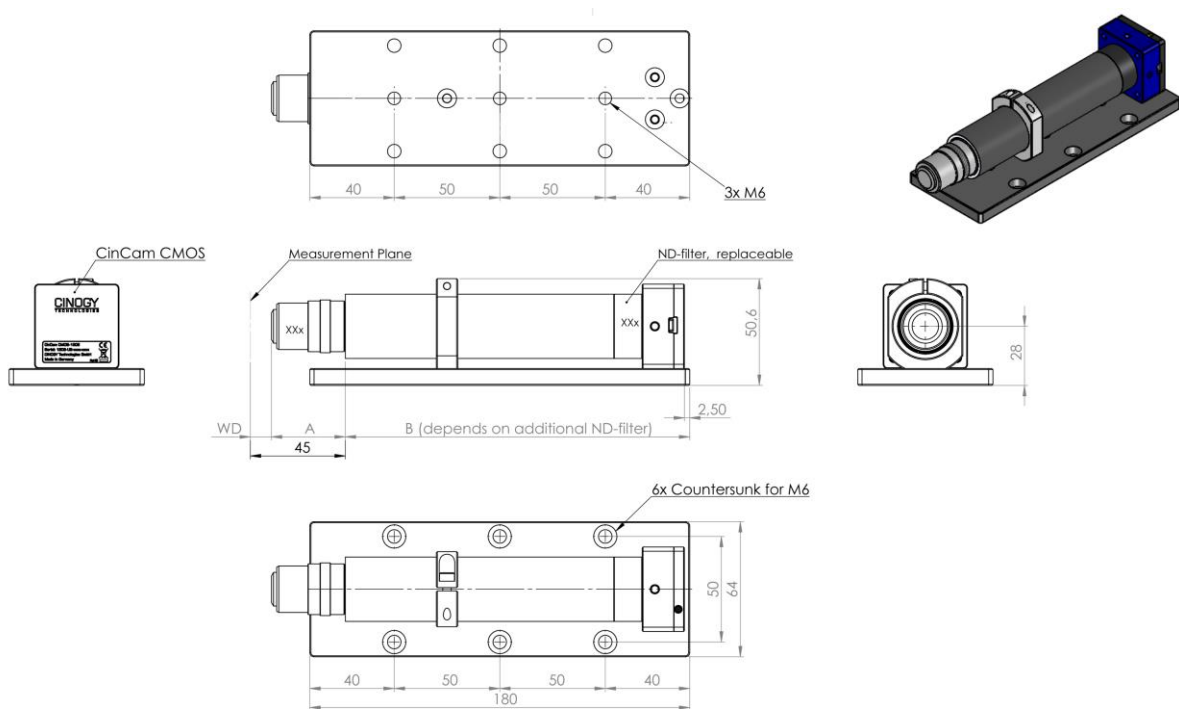
CINOGY Technologies near field beam profiling option is suitable for focus spot measurements and near field imaging of fiber ends or output surfaces from laser diodes over a wide wavelength range. The set-up based on the compact CinCam CMOS models and can be assembled with different microscope objectives. These calibrated microscope objectives assured maximum accuracy and enables imaging of small beam structures on the diffraction limit.

	4x System	10x System	20x System	40x System
Magnification:	4x (calibrated)	10x (calibrated)	20x (calibrated)	40x (calibrated)
Numerical aperture (NA):	0.1	0.25	0.4	0.65
Working distance (WD):	15.8mm	6.4mm	0.8mm	0.6mm
Focal length:	29.8mm	17.19mm	8.33mm	4.03mm
Optical resolution:	~2µm	~1.5µm	~1.2µm	~1.0µm
Spectral range:				
Standard:	400nm - 1150nm	→ CMOS-1201 / 1202 / 1203 / 1204 // CMOS-1201-Nano / 1.001-Nano		
RT:	320nm - 1150nm	→ CMOS-1201 / 1202 / 1203 / 1204 // CMOS-1201-Nano / 1.001-Nano		
NIR: residual silicon response phosphor	400nm - 1320nm	→ CMOS-1202 / CMOS-1203 // CMOS-1201-Nano / 1.001-Nano		
IR: sensor coating	1470nm - 1605nm	→ CMOS-1201 / 1202 / 1203 // CMOS-1201-Nano / 1.001-Nano		
Input power (max):	100mW@4x, 10x / 10mW@20x, 40x / Power level for 1320nm and 1550nm on request			
Replaceable ND filter:	Absorptive type: OD1.0 / OD2.0 / OD3.0 / OD4.0 / OD5.0 (400nm - 1320nm, 1470nm -1605nm) Reflective type: OD1.0 / OD2.0 / OD3.0 (320nm - 1320nm)			
Beam profiler resolution:				
CinCam CMOS-1201	1280 x 1024 pixel	→ 5.2µm x 5.2µm		
CinCam CMOS-1202	1280 x 1024 pixel	→ 5.3µm x 5.3µm		
CinCam CMOS-1203	1600 x 1200 pixel	→ 4.5µm x 4.5µm		
CinCam CMOS-1204	2560 x 1920 pixel	→ 2.2µm x 2.2µm		
CinCam CMOS-1201-Nano	1280 x 1024 pixel	→ 5.3µm x 5.3µm		
CinCam CMOS-1.001-Nano	2040 x 2040 pixel	→ 5.5µm x 5.5µm		
Field of view:				
CinCam CMOS-1201	1664µm x 1331µm	666µm x 533µm	333µm x 267µm	167µm x 134µm
CinCam CMOS-1202	1696µm x 1357µm	678µm x 543µm	339µm x 272µm	170µm x 136µm
CinCam CMOS-1203	1800µm x 1350µm	720µm x 540µm	360µm x 270µm	180µm x 135µm
CinCam CMOS-1204	1408µm x 1056µm	563µm x 422µm	282µm x 211µm	141µm x 106µm
CinCam CMOS-1201-Nano	1696µm x 1357µm	678µm x 543µm	339µm x 272µm	170µm x 136µm
CinCam CMOS-1.001-Nano	2825µm x 2825µm	1130µm x 1130µm	565µm x 565µm	283µm x 283µm
Beam size:				
CinCam CMOS-1201	~13µm - 666µm	~5.2µm - 267µm	~2.6µm - 134µm	~1.3µm - 67µm
CinCam CMOS-1202	~14µm - 678µm	~5.3µm - 272µm	~2.6µm - 136µm	~1.3µm - 68µm
CinCam CMOS-1203	~11µm - 675µm	~4.5µm - 270µm	~2.3µm - 135µm	~1.1µm - 67µm
CinCam CMOS-1204	~5.5µm - 528µm	~2.2µm - 211µm	~1.1µm - 106µm	~0.6µm - 53µm
CinCam CMOS-1201-Nano	~14µm - 678µm	~5.3µm - 272µm	~2.6µm - 136µm	~1.3µm - 68µm
CinCam CMOS-1.001-Nano	~13µm - 1875µm	~5.5µm - 750µm	~2.8µm - 375µm	~1.4µm - 188µm





**CinCam Application
Near-Field Beam Profiler
- Dimensions -**

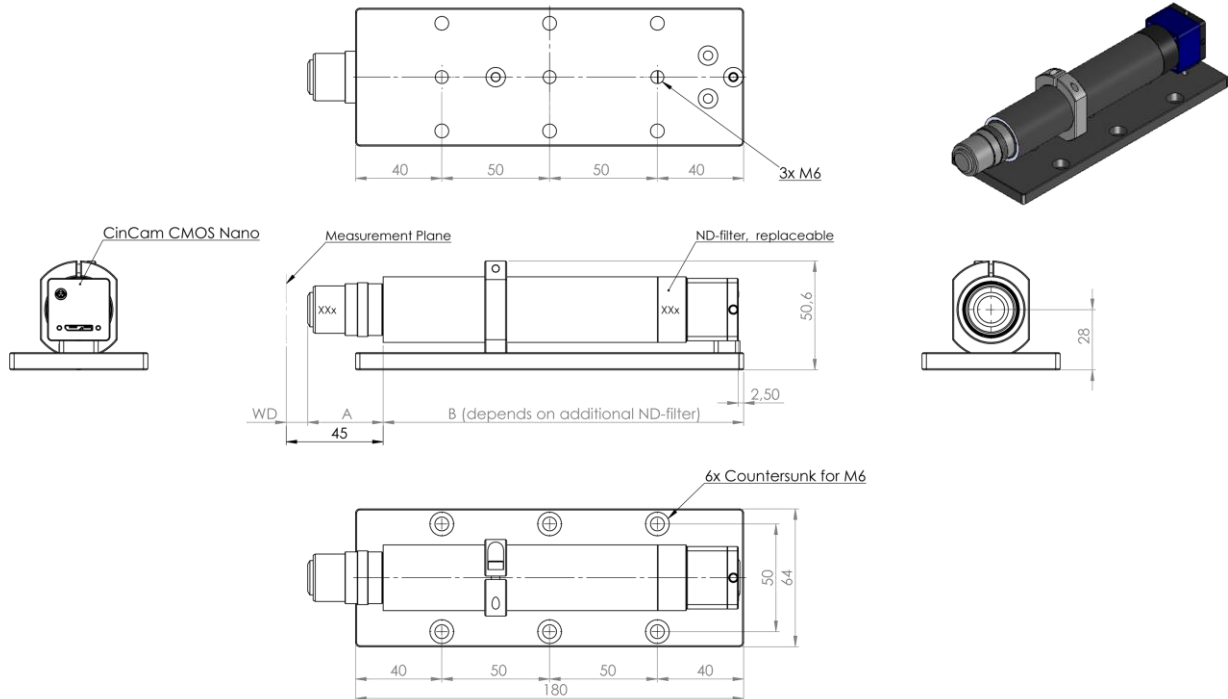


ND-filter	B (Length)
Clear	162.00
OD1.0	162.90
OD2.0	162.45
OD3.0	162.70
OD4.0	162.95
OD5.0	163.20

Factor	Working Distance (WD)	A (Length)
4x	15.80	29,2
10x	6.40	38,6
20x	0.8	44,2
40x	0.60	44,4
60x	0.28	44,7



**CinCam Application
Near-Field Beam Profiler
- Dimensions -**



ND-filter	B (Length)
Clear	161.50
OD1.0	162.15
OD2.0	161.95
OD3.0	162.20
OD4.0	162.45
OD5.0	162.70

Factor	Working Distance (WD)	A (Length)
4x	15.80	29.2
10x	6.40	38.6
20x	0.80	44.2
40x	0.60	44.4